

PULIMATIC

Automatic self cleaning filter



- ✓ automatic washing and brushing of the cartridge
- ✓ customized backwash programming, wash cycle with 3 rotations
- ✓ high flow rates
- ✓ calendar date marker to indicate the sanitation cycle

CHARACTERISTICS

PuliMATIC is an automatic self-cleaning filter with high flow rate, with a patented brushing system, cleaning of the filter and dirt discharging occurring at the same time and by means of electronic control system.

PuliMATIC is made with brass head with threads according to EN 10226-1 and EN 228-1, Bowl in Grilamid® (high strength polyamide) and nylon cleaning brushes.

The cartridge is made in stainless steel. The specific structure of the filtering cartridge makes it resistant to pressure shock eliminating problems of deformation and crushing. 1" 1/2 and 2" models are equipped with 2 pressure gauges, tangs, and nuts.

The cleaning of PuliMATIC is completely automatic: cartridge brushing and dirt discharge at the same time due to electronic control. Default settings: cleaning every 4 days with 3 rotations of the brushing system. Customizable washing time and manual cleaning activation possibility. 89-micron filtration rating.

Cleaning time: 19 seconds. Water consumption per cleaning: 14 lt. (with a 6 Bar inlet pressure). No anti-flooding system.

Raw water filtration occurs from OUT to IN of the stainless-steel cartridge.

For maintenance and sanitation interventions, it is possible to contact the industry professionals.



Cleaning of the filtering cartridge



The filter is equipped with 5 brushes for cleaning the filter cartridge; the brushes can be equipped with silver wire to prevent bacterial proliferation inside the filter



Calendar date marker

WHAT WE SUPPLY

PuliMATIC is packed in a cardboard box; inlet and outlet connections on filter head are supplied with sealing caps preventing any contamination; they need to be removed before installation.

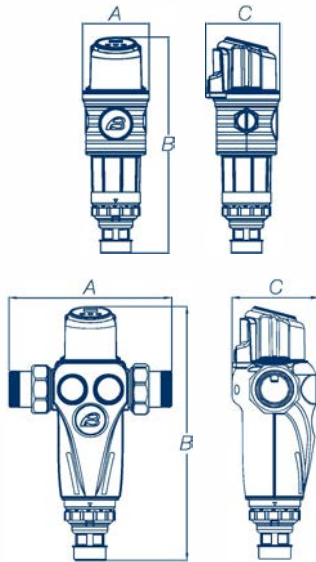
Standard supply includes PuliMATIC filter, bag with brass connections kit (only for units with 1 1/2" – 2" connection), power supply, instructions for use - maintenance - assembly - installation (including declaration of conformity).

Code	Connections	Flow rate ($\Delta p = 0,5 \text{ bar}$) m^3/h	Filtration grade μm	Min/max pressure bar	Pieces per package	Kg. per package
FT360	3/4" F	6,4	89	1,5 - 16	1	1,5
FT362	1" F	9,6	89	1,5 - 16	1	1,5
FT364	1"1/4 F	10,6	89	1,5 - 16	1	2
FT366	1"1/2 M	22,0	89	1,5 - 16	1	5
FT368	2" M	22,6	89	1,5 - 16	1	5

Remark: upon request 30 – 50- and 150-micron filtration rating available

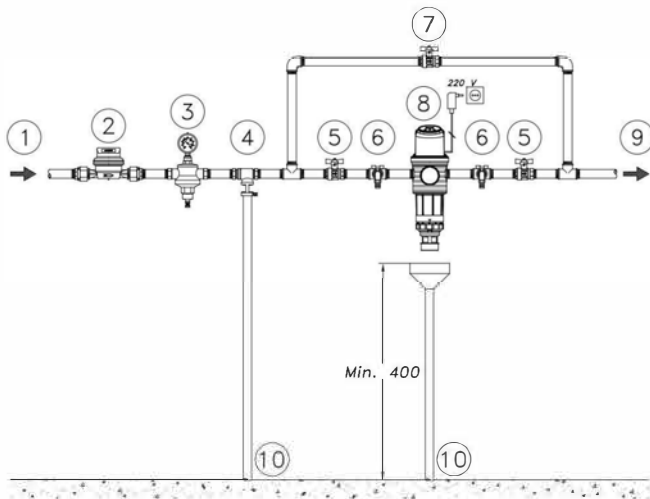
When placing orders, please specify the filtration required rating after the product nr. E. g. FT362-50. Price will not vary.

OVERALL DIMENSIONS EXPRESSED IN MM



Code	Width - A	Height - B	Depth - C
FT360	110	366	122
FT362	110	366	122
FT364	110	366	122
FT366	265	416	140
FT368	265	416	140

EXAMPLE OF INSTALLATION SCHEME



Legend

1. Raw water inlet
2. Main water meter
3. Pressure reducer (if any)
4. Disconnecter (if any)
5. Shut-off valve
6. Sampling tap
7. By-pass valve
8. PuliMATIC filter
9. Treated water outlet
10. Discharge

GUIDELINES FOR CORRECT MAINTENANCE

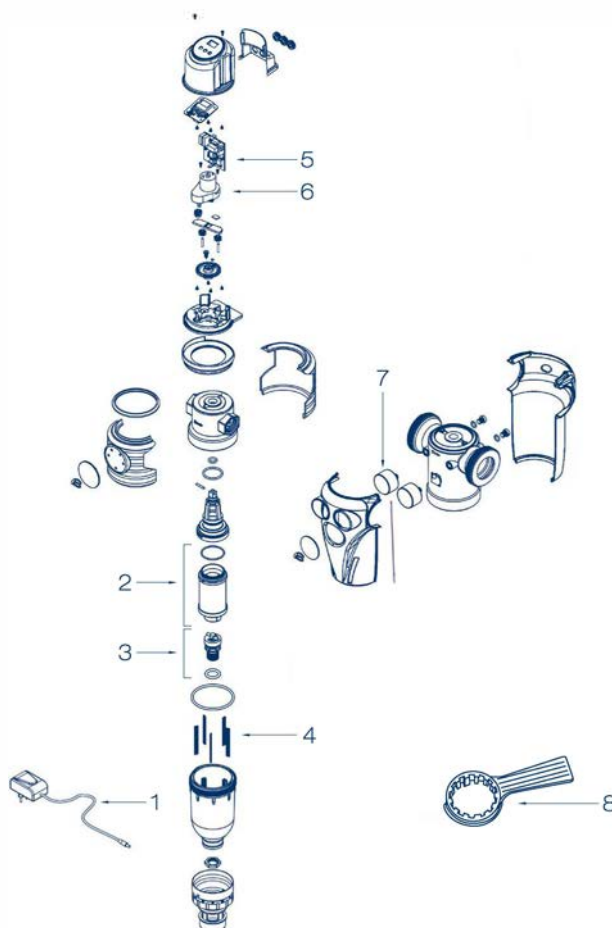


The correct operation and duration of the equipment over time depend on correct installation, proper use and methodical application of the maintenance instructions supplied.

First year	Second year	Third year	Fourth year	Fifth year
CARTRIDGE ASSEMBLY Cleaning	CARTRIDGE ASSEMBLY Cleaning	CARTRIDGE ASSEMBLY Cleaning	CARTRIDGE ASSEMBLY Cleaning	CARTRIDGE ASSEMBLY Change if necessary
SANITATION INTERVENTION Annually or for periods of inactivity exceeding 30 days	SANITATION INTERVENTION Annually or for periods of inactivity exceeding 30 days	SANITATION INTERVENTION Annually or for periods of inactivity exceeding 30 days	SANITATION INTERVENTION Annually or for periods of inactivity exceeding 30 days	SANITATION INTERVENTION When replacing the cartridge Annually or for periods of inactivity exceeding 30 days

RECOMMENDED SPARE PARTS

Pos.	Code	Description	Q.ty
1	99022030	230V Power supply assembly (standard)	1
	23022043	Universal power supply 100-240V (Cina - Australia)	1
2	99022009	Cartridge assembly 100 µm - ¾" - 1" - 1" ¼ (standard)	1
	99003002	Cartridge assembly 30 µm - ¾" - 1" - 1" ¼	1
	99003003	Cartridge assembly 50 µm - ¾" - 1" - 1" ¼	1
	99003010	Cartridge assembly 150 µm - ¾" - 1" - 1" ¼	1
	99003005	Cartridge assembly 100 µm - 1" ½ - 2" (standard)	1
	99003006	Cartridge assembly 30 µm - 1" ½ - 2"	1
	99003009	Cartridge assembly 50 µm - 1" ½ - 2"	1
	99003011	Cartridge assembly 150 µm - 1" ½ - 2"	1
3	99022001	Drain assembly with o. ring	1
4	24022002	Brush L.61- ¾" - 1" - 1" ¼	5
	99022005	Brush L.61- ¾" - 1" - 1" ¼ (DVGW version)	5
	24022003	Brush L.123 - 1" ½ - 2"	5
	24022002ARG	Brush L.61 with silver thread - ¾" - 1" - 1" ¼	5
	24022003ARG	Brush L.123 with silver thread - 1" ½ - 2"	5
5	23022044	Fixed connector circuit	1
6	99003025	Gearmotor assembly	1
7	23022032	Front pressure gauge Ø 40	2
8	01022020	Key for sump opening	1



CONSUMABLES AND MAINTENANCE

Code	Description	Q.ty
48170005	KIT SANITY Sanitizing product for sanitation processes 1 Kg. can - 4 Kg. pack	1
48105016	PEROXIDE ANALYSIS KIT for KIT SANITY The kit allows you to check whether the sanitation was done correctly	1
48500007	Food grade silicone suitable for the lubrication of mechanical parts and o-rings	1