

BRAVOFIL S

Semi-automatic self cleaning filter



- ✓ brushing and washing system of the cartridge with filtered water
- ✓ 360° adjustable connection plate
- ✓ calendar date marker to indicate the sanitation cycle

CHARACTERISTICS

BravoFIL S is a semi-automatic self-cleaning filter with 360° adjustable connection plate.

Offering a patented brushing system performed by using clean water, with simultaneous Backwash cleaning system of the cartridge and discharging of the dirt.

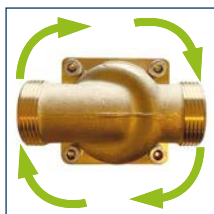
BravoFIL S is made with brass connection plate with threads according to EN 10226-1 and EN 228-1, Bowl in Grilamid® (high strength polyamide) and nylon cleaning brushes.

The cartridge is made in stainless steel. The specific structure of the filtering cartridge makes it resistant to pressure shock eliminating problems of deformation and crushing. All models are equipped with tangs and nuts.

The self-cleaning system starts the backwash with clean water and the cartridge brushing at the same time.

Raw water filtration occurs from OUT to IN of the stainless-steel cartridge.

For maintenance and sanitation interventions, it is possible to contact the industry professionals.



360° adjustable connection plate



The filter is equipped with 5 brushes for cleaning the filter cartridge; the brushes can be equipped with silver wire to prevent bacterial proliferation inside the filter



Calendar date marker

WHAT WE SUPPLY

BravoFIL S is packed in a cardboard box; inlet and outlet connections on adjustable connection plate are supplied with sealing caps preventing any contamination; they need to be removed before installation.

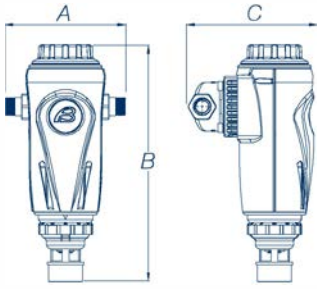
Standard supply includes: BravoFIL S filter, bag with brass connections kit, instructions for use - maintenance - assembly - installation (including declaration of conformity).

Code	Connections	Flow rate ($\Delta p = 0,5 \text{ bar}$) m^3/h	Filtration grade μm	Min/max pressure bar	Pieces per package	Kg. per package
FT020S	3/4" M	5,9	100	1,5 - 16	6	10
FT022S	1" M	7,5	100	1,5 - 16	6	10
FT024S	1 1/4" M	8,0	100	1,5 - 16	6	11

Remark: upon request 30 – 50- and 150-micron filtration rating available

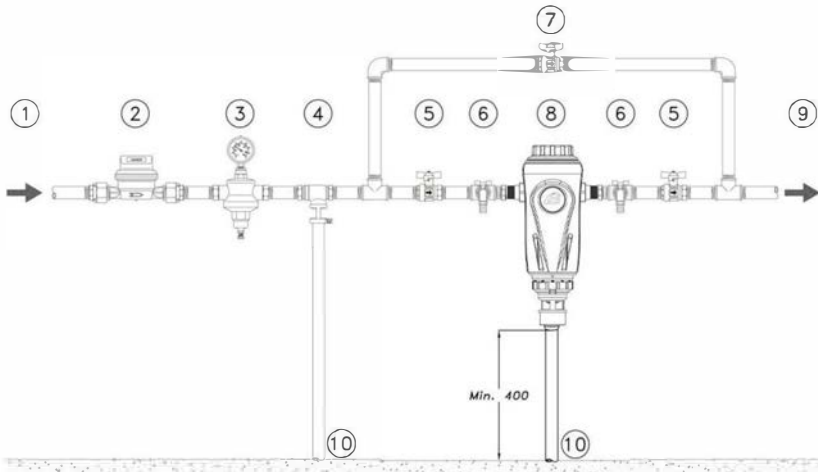
When placing orders, please specify the filtration required rating after the product nr. E. g. FT022S-50. Price will not vary

OVERALL DIMENSIONS EXPRESSED IN MM



Code	Width - A	Height - B	Depth - C
FT020S	177	344	190
FT022S	179	344	190
FT024S	190	344	190

EXAMPLE OF INSTALLATION SCHEME



Legend

1. Raw water inlet
2. Main water meter
3. Pressure reducer (if any)
4. Disconnecter (if any)
5. Shut-off valve
6. Sampling tap
7. By-pass valve
8. BravoFIL S filter
9. Treated water outlet
10. Discharge

GUIDELINES FOR CORRECT MAINTENANCE

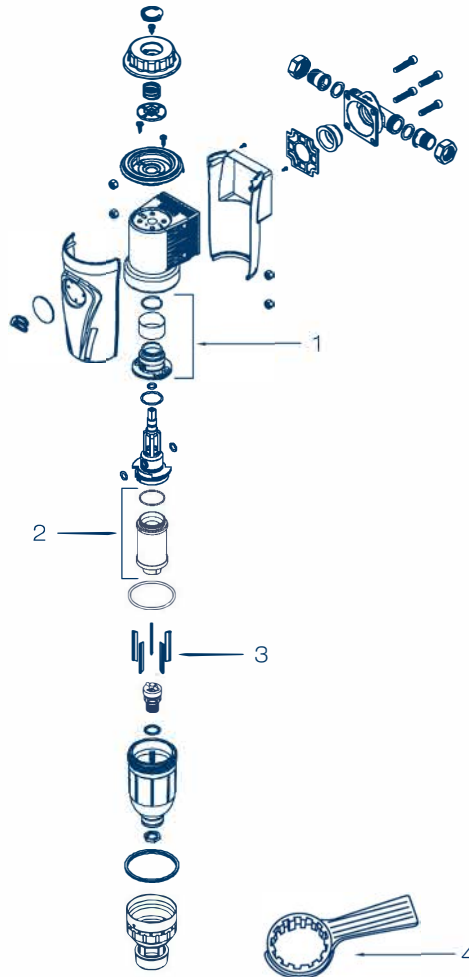


The correct operation and duration of the equipment over time depend on correct installation, proper use and methodical application of the maintenance instructions supplied.

First year	Second year	Third year	Fourth year	Fifth year
CARTRIDGE ASSEMBLY Cleaning	CARTRIDGE ASSEMBLY Cleaning	CARTRIDGE ASSEMBLY Cleaning	CARTRIDGE ASSEMBLY Cleaning	CARTRIDGE ASSEMBLY Change if necessary
SANITATION INTERVENTION Annually or for periods of inactivity exceeding 30 days	SANITATION INTERVENTION Annually or for periods of inactivity exceeding 30 days	SANITATION INTERVENTION Annually or for periods of inactivity exceeding 30 days	SANITATION INTERVENTION Annually or for periods of inactivity exceeding 30 days	SANITATION INTERVENTION When replacing the cartridge Annually or for periods of inactivity exceeding 30 days

RECOMMENDED SPARE PARTS

Pos.	Code	Description	Q.ty
1	99007027	Bushing assembly with cartridge reduction 100 µm with o. ring	1
2	99022009	Cartridge assembly 100 µm	1
3	99022005	Brush L.61 - ¾" - 1" - 1" ¼ (standard)	5
	24022002ARG	Brush L.61 with silver thread - ¾" - 1" - 1" ¼	5
4	01022020	Key for sump opening	1



CONSUMABLES AND MAINTENANCE

Code	Description	Q.ty
48170005	KIT SANITY Sanitizing product for sanitation processes 1Kg. can - 4 Kg. pack	1
48105016	PEROXIDE ANALYSIS KIT for KIT SANITY The kit allows you to check whether the sanitation was done correctly	1
48500007	Food grade silicone suitable for the lubrication of mechanical parts and o.rings	1