

# BRAVADOS

Electronic volumetric dosing pump



- ✓ self-priming
- ✓ the injection valve also acts as a non-return valve
- ✓ suitable for the complete treatment of up to 20 apartments of the entire sanitary line

## CHARACTERISTICS

BravaDOS is an electronic volumetric proportional dosing pump for dosing AcquaSIL 20/40®, an anti-scaling anti-corrosion product. BravaDOS is made with a brass connection plate, pump body in plastic material. In models with 3/4" - 1" - 1 1/4" connections, nuts and tangs are supplied for hydraulic installation

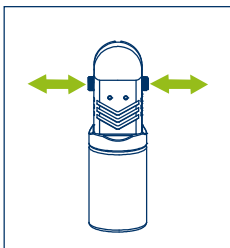
BravaDOS is designed for the dosage of products based on polyphosphates, even at low concentrations, to prevent the formation of limescale and corrosion on the sanitary line.

For maintenance and sanitation interventions, please contact the industry professionals.

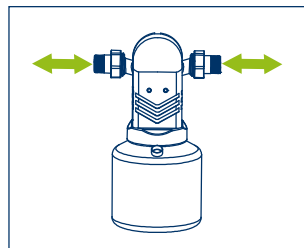


## FUNCTION INDICATORS

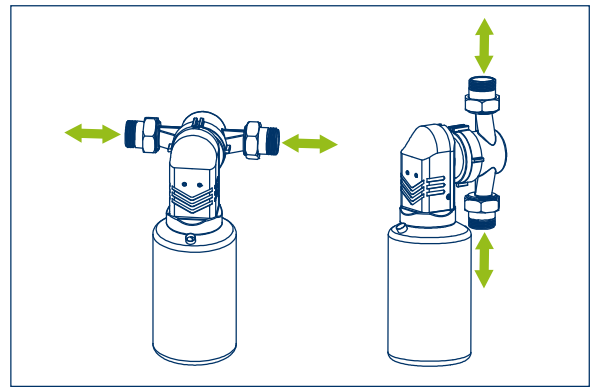
- green led on: voltage
- flashing green LED: AcquaSIL 20/40® product dosage
- red led on + acoustic signal: product reserve



PM010



PM012



PM014 - PM016

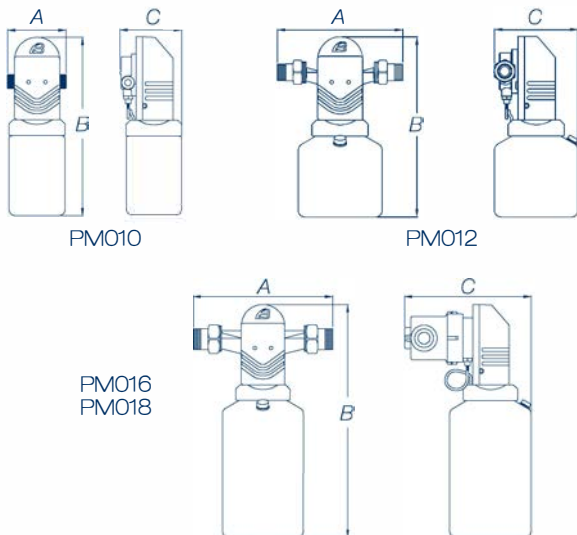
## WHAT WE SUPPLY

BravaDOS is placed inside a smooth cardboard box.

The standard equipment includes: BravaDOS pump, nuts and tangs (for models PM012, PM014, PM016), instructions for use.

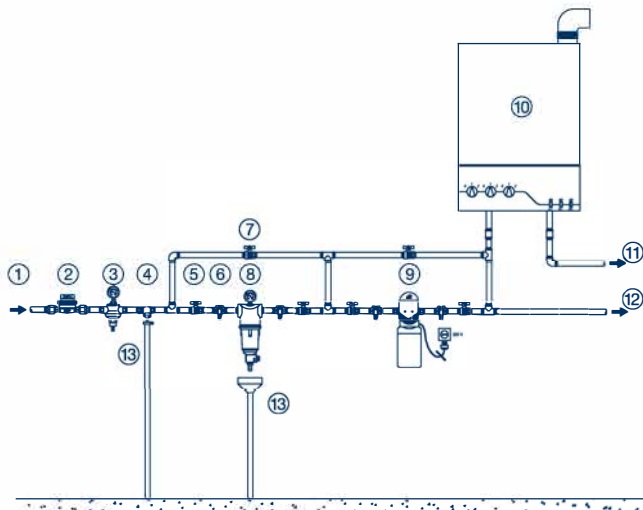
Code	Connections	Flow rate m³/h	Min/max pressure bar	Pieces per package	Kg. per package
<b>PM010</b>	1/2" M	1,5	1,5 - 6	6	6,3
<b>PM012</b>	3/4" M	3,0	1,5 - 6	6	7,5
<b>PM014</b>	1" M	4,5	1,5 - 6	4	13,7
<b>PM016</b>	1 1/4" M	6,0	1,5 - 6	4	14,5

## OVERALL DIMENSIONS EXPRESSED IN MM



Code	Weidth - A	Height - B	Depth - C
PM010	90	282	97
PM012	185	282	130
PM014	230	380	202
PM016	235	380	202

## EXAMPLE OF INSTALLATION SCHEME



### Legend

1. Raw water inlet;
2. General counter;
3. Pressure reducer;
4. Disconnect;
5. Shut-off valve;
6. Sampling tap;
7. By-pass valve;
8. Filter;
9. MiniDUE dosing pump;
10. Boiler;
11. Hot water outlet;
12. Cold water outlet;
13. Discharge.

## GUIDELINES FOR CORRECT MAINTENANCE

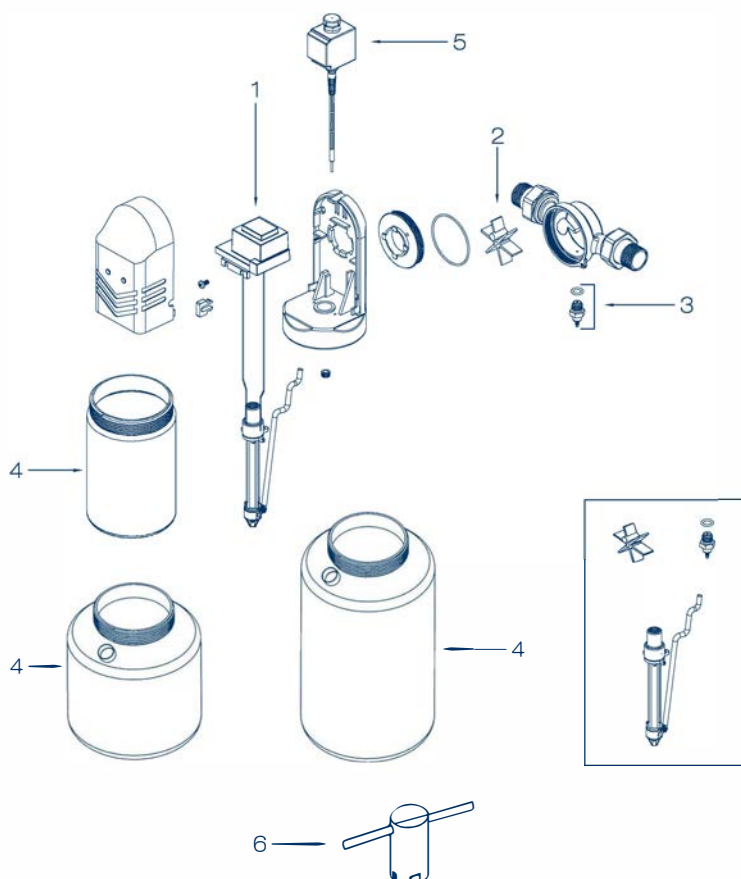


The correct operation and duration of the equipment over time depend on correct installation, proper use and methodical application of the maintenance instructions supplied.

First year	Second year	Third year	Fourth year	Fifth year
CHAMBER ASSEMBLY Clean or lubricate with food grade silicone	CHAMBER ASSEMBLY Clean or lubricate with food grade silicone	CHAMBER ASSEMBLY Replace	CHAMBER ASSEMBLY Clean or lubricate with food grade silicone	CHAMBER ASSEMBLY Clean or lubricate with food grade silicone
INJECTION VALVE ASSEMBLY Clean or lubricate with food grade silicone	INJECTION VALVE ASSEMBLY Clean or lubricate with food grade silicone	INJECTION VALVE ASSEMBLY Replace	INJECTION VALVE ASSEMBLY Clean or lubricate with food grade silicone	INJECTION VALVE ASSEMBLY Clean or lubricate with food grade silicone
SANITATION INTERVENTION Annually or for periods of inactivity longer than 30 days	SANITATION INTERVENTION Annually or for periods of inactivity longer than 30 days	SANITATION INTERVENTION Annually or for periods of inactivity longer than 30 days	SANITATION INTERVENTION Annually or for periods of inactivity longer than 30 days	SANITATION INTERVENTION Annually or for periods of inactivity longer than 30 days

## RECOMMENDED SPARE PARTS

Pos.	Code	Description	Q.ty	PM010	PM012	PM014	PM016
1	<b>99005007</b>	Circuit assembly	1	✓	✓	✓	✓
2	<b>99005002</b>	Impeller assembly	1	✓			
	<b>99005010</b>	Impeller assembly	1		✓		
3	<b>99005018</b>	Impeller assembly	1			✓	✓
	<b>99006001</b>	Injection valve assembly	1	✓	✓	✓	✓
4	<b>25005001</b>	500 ml. tank with serigraphy	1	✓			
	<b>25005002</b>	1000 ml. tank with serigraphy	1		✓		
	<b>99005013</b>	2500 ml. tank with label	1			✓	✓
5	<b>99005016</b>	Reel and shaft assembly	1	✓	✓		
	<b>99005017</b>	Reel and shaft assembly	1			✓	✓
6	<b>AV100</b>	Counter diaphragm disassembly wrench			✓		



## CONSUMABLES AND MAINTENANCE

Code	Description	Q.ty
<b>48170005</b>	KIT SANITY Prodotto sanificante per processi di igienizzazione barattoli da 1 Kg. - confezione da Kg. 4	1
<b>48105016</b>	PEROXIDE ANALYSIS KIT for KIT SANITY The kit allows you to check whether the sanitation was done correctly	1
<b>48500007</b>	Food grade silicone suitable for the lubrication of mechanical parts and o.rings	1
<b>PC002</b>	AcquaSIL 20/40® - anti-scale anti-corrosion product Kg. 1 bottle	1
<b>PC003</b>	AcquaSIL 20/40® - anti-scale anti-corrosion product Kg. 5 tank	1